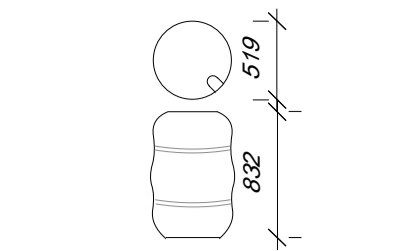


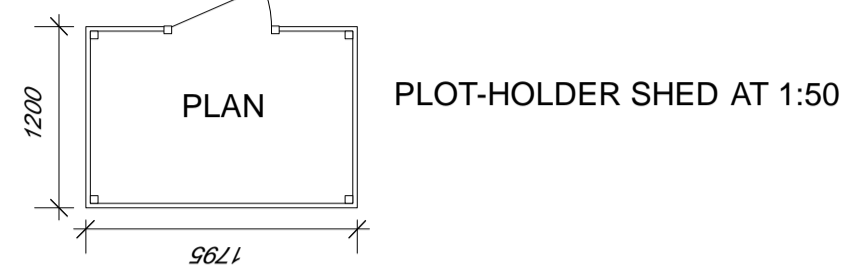
LOCATION PLAN AT 1:1250



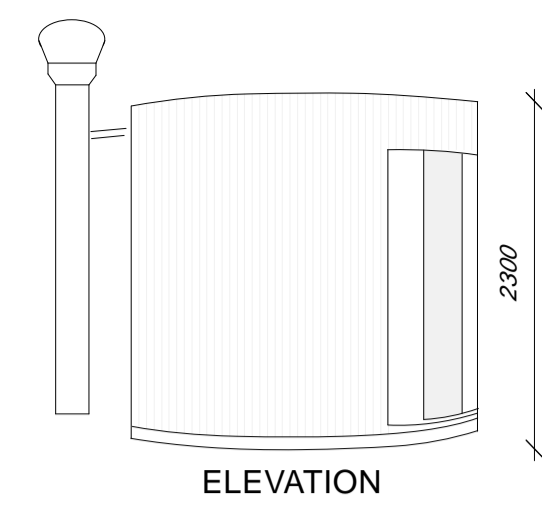
WATER BUTT PLAN AND ELEVATION AT 1:50



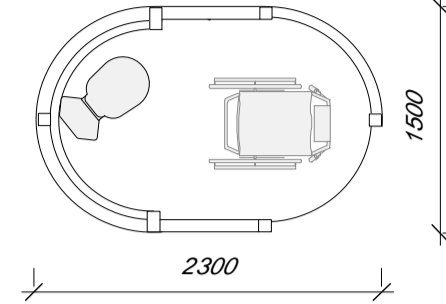
END ELEVATION SIDE ELEVATION END ELEVATION



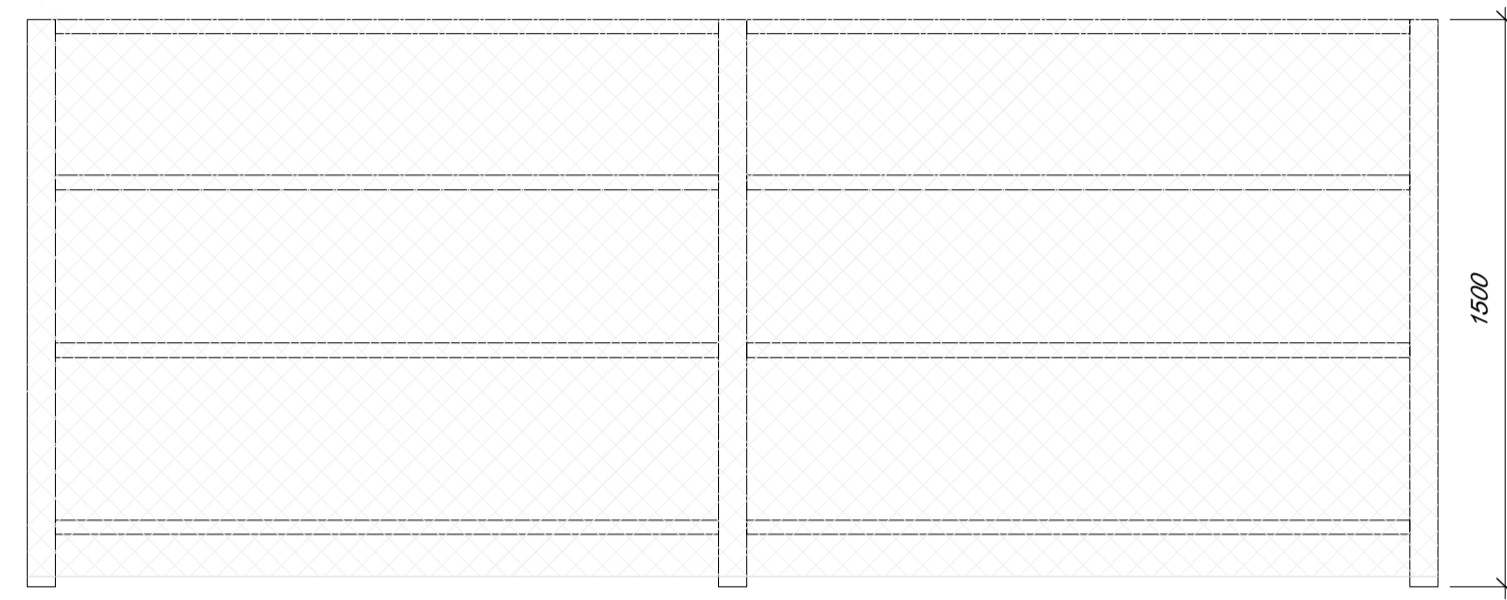
PLAN PLOT-HOLDER SHED AT 1:50



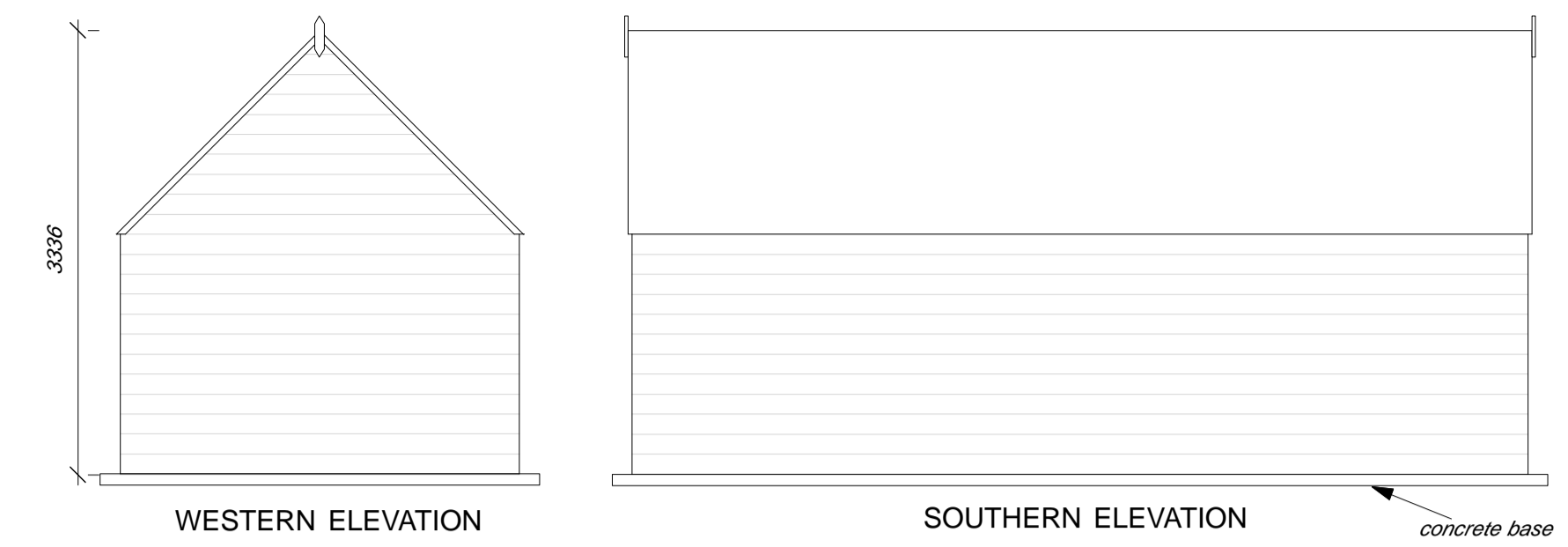
ELEVATION



PLAN KAZUBALOO KL2-prm ACCESSIBLE TOILET AT 1:50

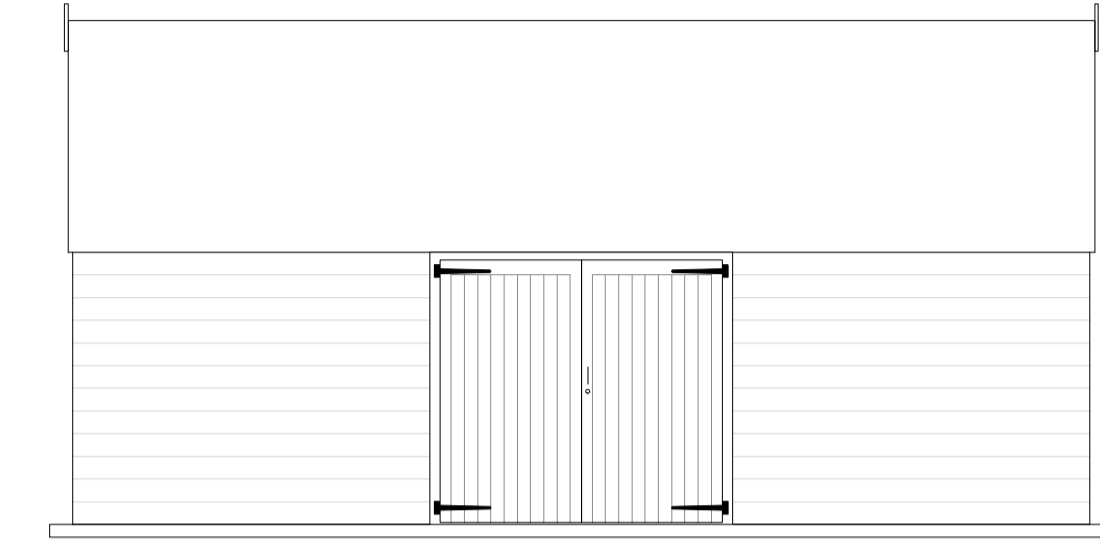


ELEVATION OF FENCING AT 1:20

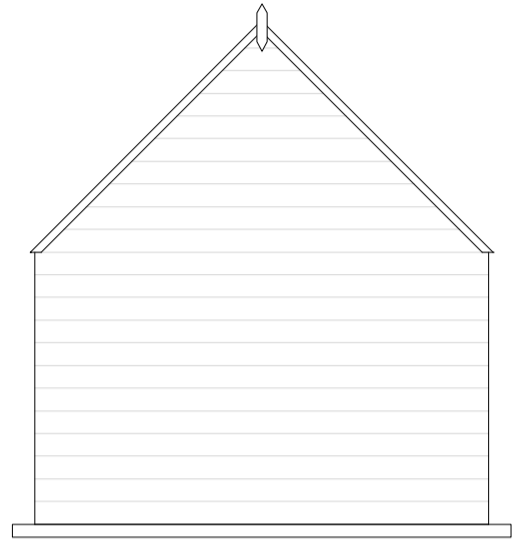


WESTERN ELEVATION

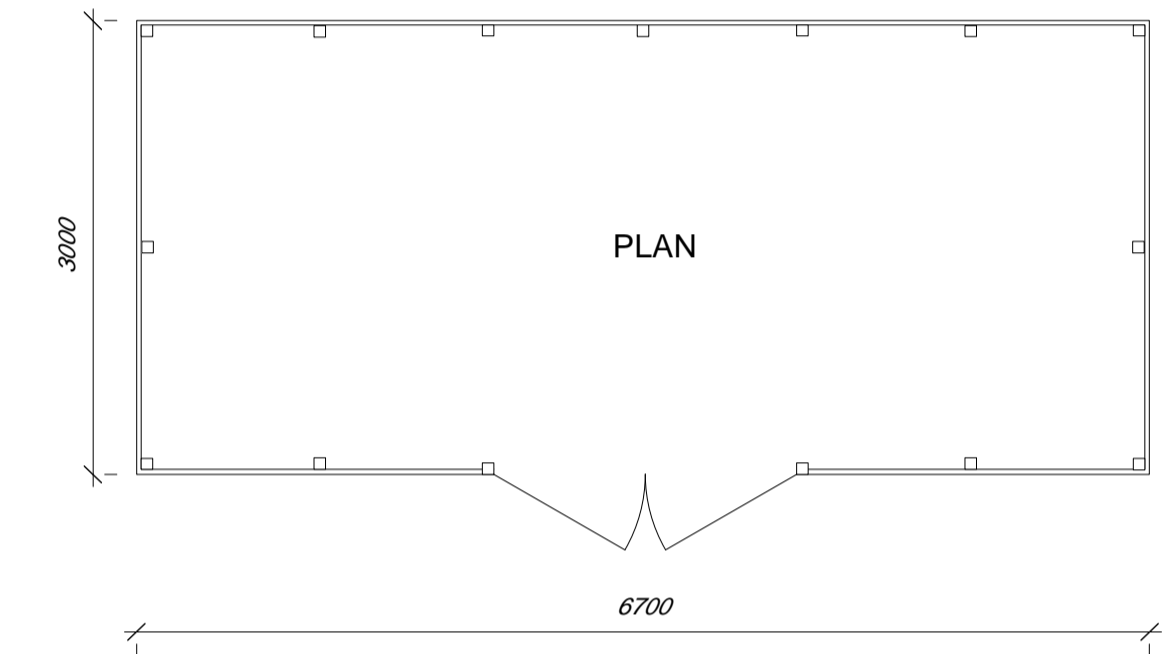
SOUTHERN ELEVATION



NORTHERN ELEVATION

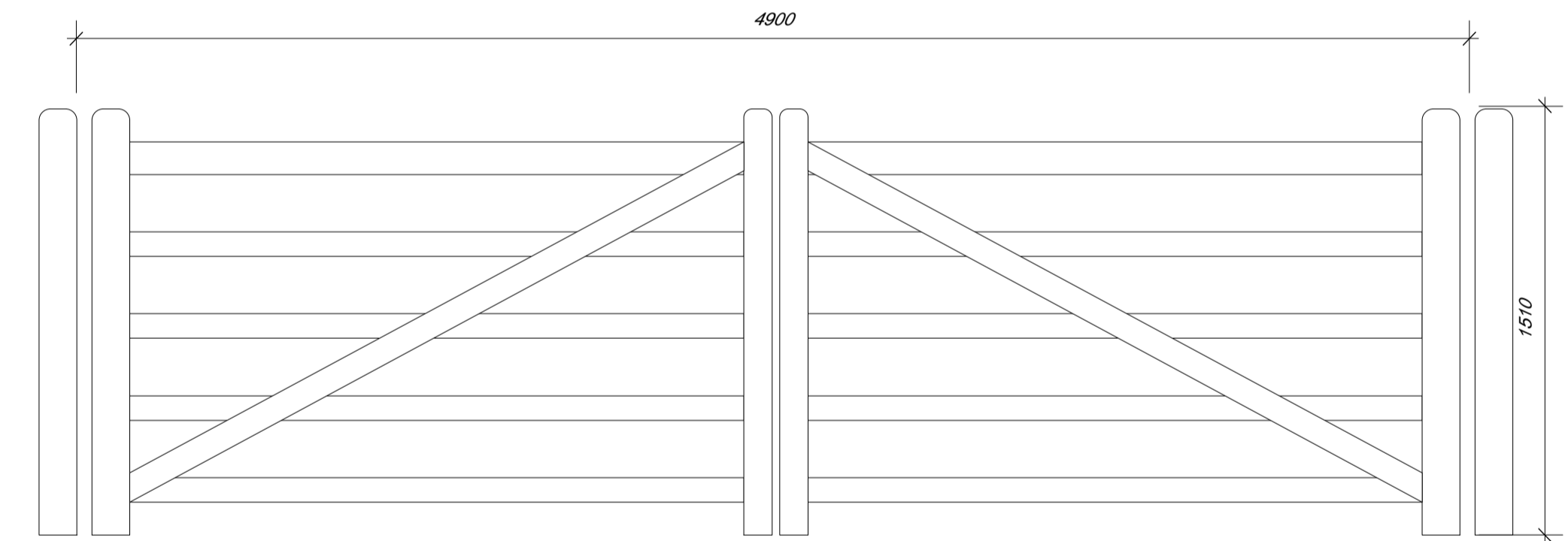


EASTERN ELEVATION



PLAN

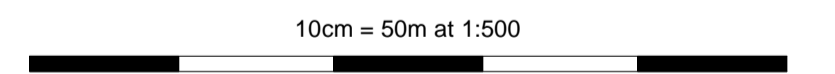
COMMUNAL SHEDS PLAN AND ELEVATIONS AT 1:50



ENTRANCE GATES TO ALLOTMENT AREA AT 1:20



BLOCK PLAN AT 1:500



BILINGSHURST PARISH COUNCIL

Manor Fields Allotments, Billingshurst

Block Plan, Location Plan, Elevations

Drawing number: JAF2178

Scales: 1:1250, 1:500, 1:50 and 1:20

Original size: A1

Drawn: Paul Sharman - January 2011